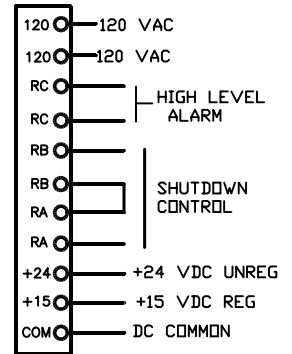
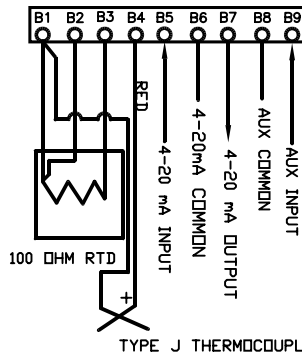
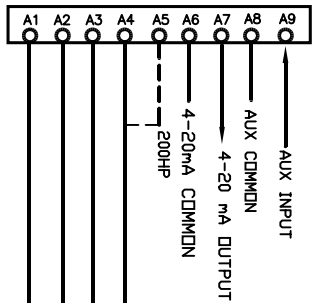


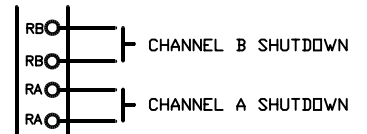
FOR REFERENCES PURPOSES
 CURRENT/HP CARD & TEMPERATURE CAN USE EITHER SLOT

CURRENT/HP CARD WIRING

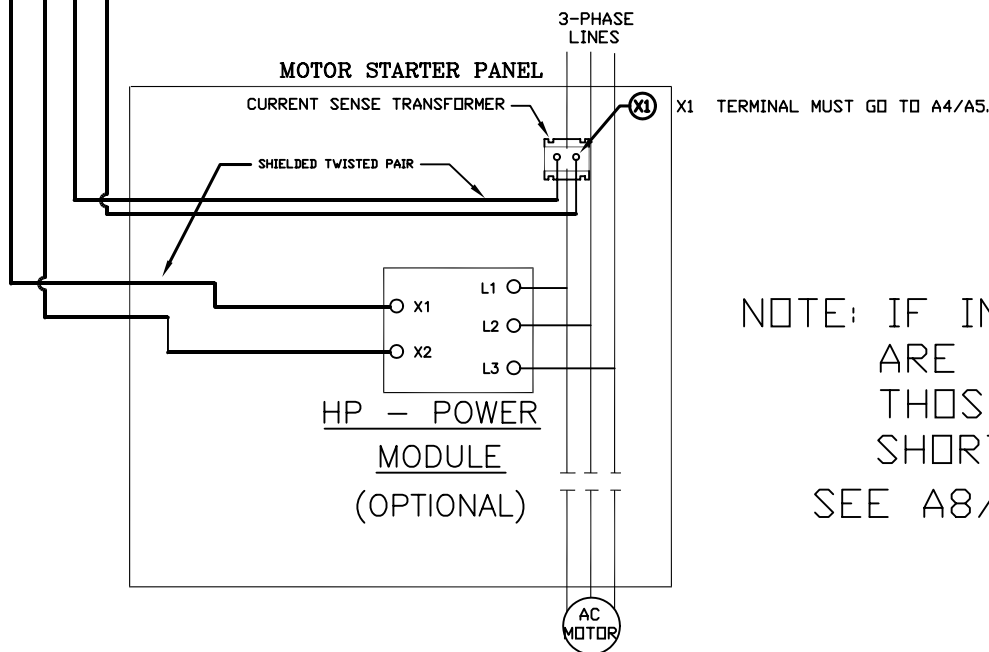
TEMPERATURE CARD WIRING



ALTERNATE CONNECTIONS



NOTE: L1 MUST PASS THRU SENSE TRANSFORMER



NOTE: IF INPUT CONNECTIONS ARE NOT USED, THEN THOSE TERMINALS MUST SHORTED/JUMPED.
 SEE A8/A9, B8/B9, B6/B7

MODEL K1000C
 AC CURRENT/HP SENSOR
 WIRING DIAGRAM

ZM TECHNOLOGIES
 STOCKTON, CA
 FILE: EQK1000C WIRING
 DATE: 10/15/2001